

Tool Caddy

#556 \$7.00

Level 1—Quick & Easy

MATERIALS

GREEN PEPPER
ORDER #

Small Tote:

- 1/2 yd – 60" Outer Fabricsee Sugg. Fabrics
- 1/2 yd – 60" Lining Fabricsee Sugg. Fabrics
- 1 1/4 yd – 3/4" Webbing..... **WMN-034**
- 7/8 yd – 3/4" Heavy Elastic **EL-WEB-34**
- 7/8 yd – 1/2" Velcro **VRH-012/VRL-012**
- 1 -13"x15" Plastic Stiffener **PS**

Medium and Tall Totes:

- 3/4 yd – 60" Outer Fabricsee Sugg. Fabrics
- 3/4 yd – 60" Lining Fabricsee Sugg. Fabrics
- 1 3/4 yd – 3/4" Webbing..... **WMN-034**
- 1 1/4 yd – 3/4" Heavy Elastic **EL-WEB-34**
- 1 1/4 yd – 1/2" Velcro**VRH-012/VRL-012**
- 3 -13"x15" Plastic Stiffener **PS**

All Sizes:

- 1 – All Polyester Thread**TH-150**
- 6 – 3/4" Tri-rings **TR-034B**

Clip-on Shoulder Strap:

- 1 3/4 yd – 1 1/2" Webbing..... **WMN-112**
- 2 – 1 1/2" Swivel Snap Hooks **SW-112B**
- 2 – 1 1/2" Sliders **SL-112B**
- 1 – 1 1/2" Shoulder Pad **SP-112B**

SUGGESTED FABRICS

GREEN PEPPER
ORDER #

Outer Fabric:

- Cordura **F2**
- Nylon Pack Cloth **F4**
- or Canvas, Denim, or other rugged fabric.

Lining Fabric:

- Hi-Count Nylon Taffeta **F22**
- Coated Nylon-Taffeta **F5T**
- Coated Nylon-Ripstop..... **F5R**
- or any light to medium weight woven fabric.

THE  **green pepper** INC.

Quick & Easy!

556

TOOL CADDY

LEVEL 1—QUICK & EASY

For carpentry, gardening, art projects, knitting, or sewing

- Durable • Washable
- 3 sizes, with webbing handles
- Clip-on shoulder or waist strap

PLUS HANDY FEATURES:

- *Outside bellows pockets on all four sides of bag.*
- *Elastic strap on all sides holds tool handles in place.*
- *Velcro top finish makes it easy to insert stiffeners in sides and bottom.*

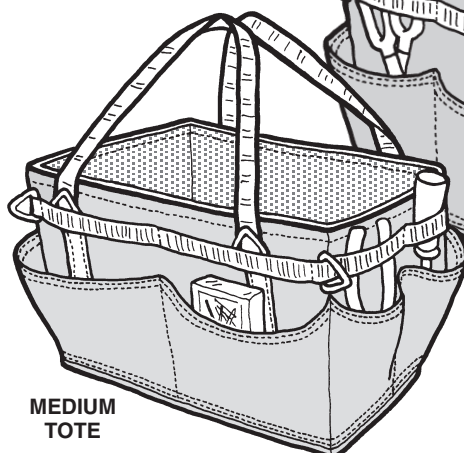
DIMENSIONS:

Small —7 3/4" long
x 5" wide x 6 1/4" high

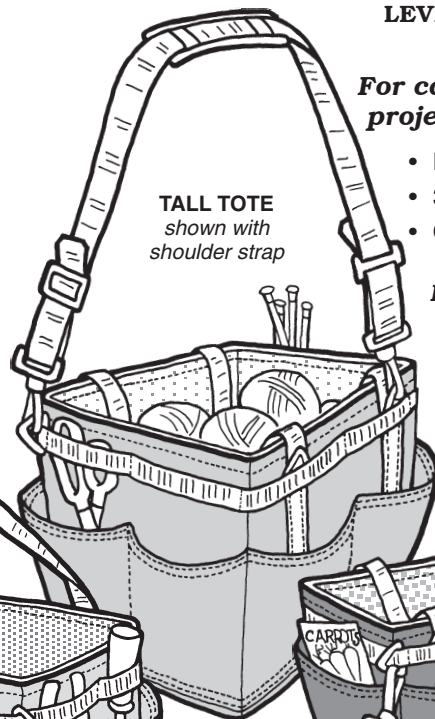
Medium —11 1/4" long
x 8 1/4" wide x 8" high

Tall —11 1/4" long
x 8 3/4" wide x 9" high

TALL TOTE
shown with
shoulder strap



MEDIUM TOTE



SMALL TOTE
shown with
waist strap